

## DMX Scene Recall Units

# ANYSCENE SERIES



**7 preset programmable DMX scene recall unit**

**23 scene 256 channel DMX scene recall unit.**  
**NEW FEATURE** - Now multiple units may be used  
in one DMX installation.

- Stylish and easy to use wall mounting DMX scene recall unit
- 7 programmable presets plus 'Blackout'
- Master level control provides overriding local control of illumination level
- Up to 36 independent channels of DMX control per preset
- Simple to programme from any DMX lighting desk or controller
- Memory protect mode selected by jumper
- 'Preset cycle' feature cycles through presets
- Jumper selection of 5 or 10 second fade times
- Standard UK double patress fitting available in a variety of architectural finishes
- RJ45 category 5 connection provides both data and power
- Automatic DMX backup feature
- Infra red controlled version IR Anyscene

- Stylish and easy to use DMX scene recall unit
- 23 programmable scenes plus 'blackout'
- 256 independent channels of DMX control per scene
- Input or output of DMX data at addresses 1-256 or 257-512
- Master level control
- Simple to programme from any DMX lighting desk or controller
- Memory protection switch
- Scene cycle mode with adjustable cycle rate from 3 to 60 seconds / scene
- Selectable fade rate between scenes of 2.5, 5, 10 or 20 seconds
- External 'scene advance' input
- Dimmable front panel status LED's
- Automatic DMX backup feature
- RJ45 category 5 connection provides both DMX data and power
- Infra red controlled version IR Anyscene 2

Tel: +44 (0)23 9259 9410 Fax: +44 (0)23 9259 8723 e-mail: [sales@anytronics.com](mailto:sales@anytronics.com)

TV STUDIOS | THEATRE | SCHOOLS | CINEMA | ENTERTAINMENT | ARCHITECTURAL | OFFICES & RETAIL

Standard UK double patress fittings

Available in a variety of flush mounted screwless designer architectural surrounds



Brushed Stainless Steel



Black Nickel



Polished Brass



Pearl Nickel



White



Mark Resistant Brushed Stainless Steel

Flush mounted designer architectural surrounds



Chrome



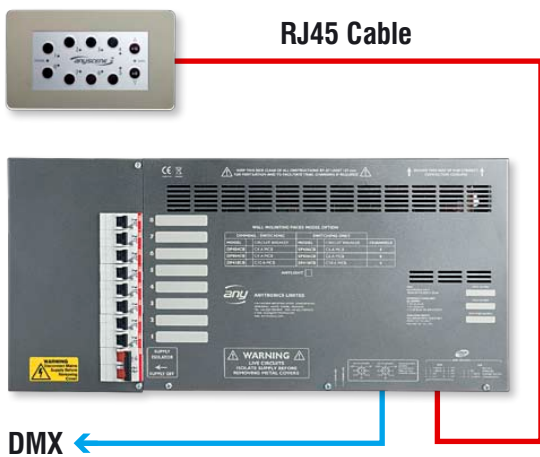
White



Polished Brass

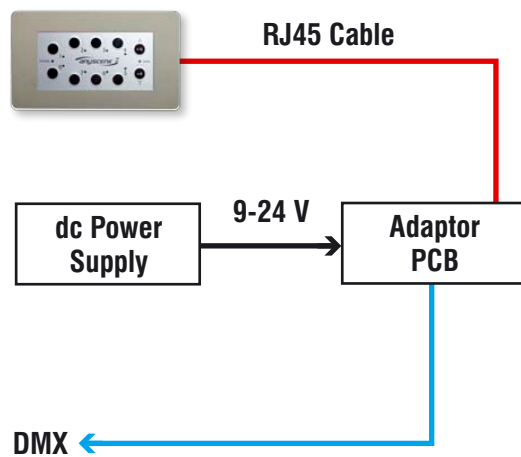
Installation with Anytronics dimming pack

Anyscene units can be powered directly from any of Anytronics dimming or switching packs via a simple RJ45 data and power connection. Expansion DMX connections via XLR or RJ45 from dimming pack.



Installation with other DMX equipment

Anyscene unit powered from a dc supply (UK order K121C, Euro order K126C) through adaptor PCB (order K178). Expansion connections to other equipment via XLR or RJ45 from the adaptor PCB.



Specifications and designs are subject to change without any notice or obligation on the part of the manufacturer. © 2009 Anytronics Ltd.



**Anytronics Limited**

Units 5 & 6, Hillside Industrial Estate, London Road, Horndean, Hampshire, PO8 0BL  
Tel: +44 (0)23 9259 9410 Fax: +44 (0)23 9259 8723 sales@anytronics.com www.anytronics.com